



Nano SPY U

Universal analog input mini-recorder
2,4 GHz radiofrequency communication



Non contractual photo



Presentation

The Nano SPY U mini recorder is designed to measure and record data coming from the following types of analog sensors: PT100, current (4-20 mA / 0-20mA), voltage (0-1V), counting or dry contact.

It transmits the data to a nearby LINK module via 2.4 GHz radio frequency communication. The data are then automatically sent to the JRI secure Cloud for hosting, and will be managed from the JRI-MySirius application.

If thresholds are exceeded, alerts are transmitted in real time to react immediately.

Benefits

- **Easy-to-use**

The recorder is ready-to-use and has status and alarm lights.



- **Excellent measurement accuracy**

Technical features

Interface	Status LED lights, On / Off sensitive button
Memory	10 000 data points
Communication frequency	2,4GHz
Operating conditions	0°C to +50°C
Cable length	2m
Measuring and transmission interval	Adjustable from 5 sec to 12 hrs
Recording interval (internal memory)	Adjustable from 1 mn to 24 hrs
Response time σ_{90}	Depending on sensor
Protection	IP65
Case	Polycarbonate – Food contact
Dimensions and weight	63 x 42 x 25 mm / ~ 60 g
Power supply	Replaceable lithium 3,6v battery
Autonomie	6 years
Fixation	Fixing eyelets and integrated magnets
Delivered with	Battery, JRI Blue Identification Ring, double-sided tape and protective shell user manual downloadable on www.jri-corp.com
Compliance	CE, ROHS, FCC, EN 300 328



Fixing eyelets and integrated magnets



Replaceable battery and non disconnectable probe



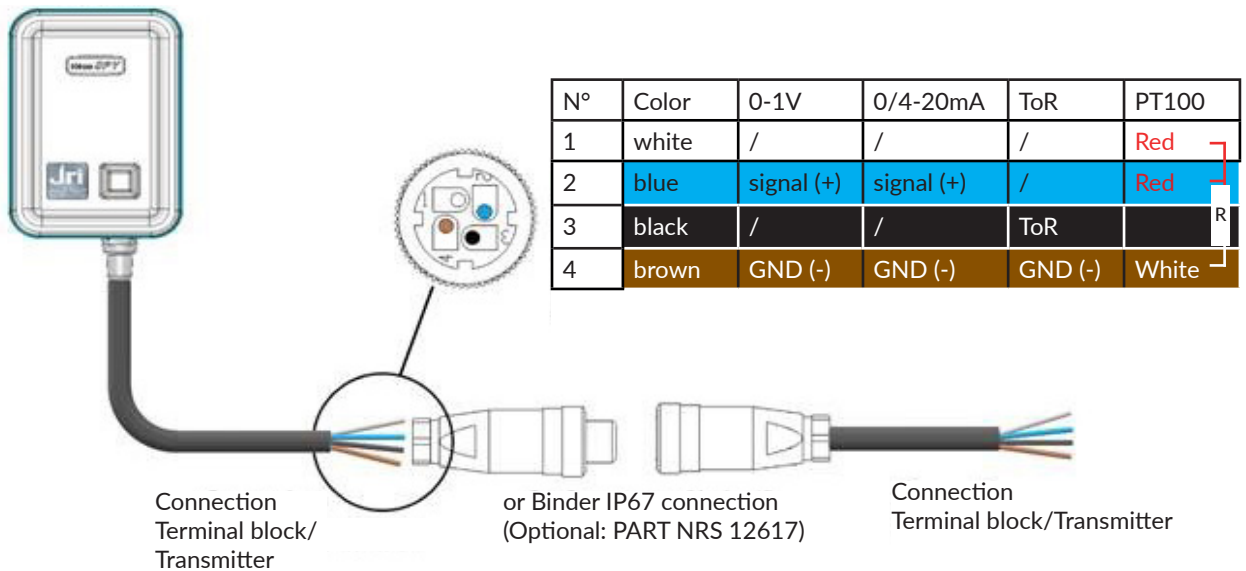
Connector for analog sensor

Type of input	PT100	Current	Voltage	Counting/ TOR Dry contact or 0-3.3V max
Measurement range	-200°C to +300°C	0 to 20 mA or 4-20mA	0-1V	0 to 65535 signal 0-200Hz
Resolution	0,01°C	0,001 mA	0,1 mV	1
Accuracy *	$\pm 0,2^\circ\text{C}$ from -20°C to $+50^\circ\text{C}$ $\pm 0,3^\circ\text{C}$ from -80°C to -20°C and from $+50^\circ\text{C}$ to $+140^\circ\text{C}$ $\pm 0,5^\circ\text{C}$ outside	$\pm 0,05$ mA	$\pm 0,5$ mV	± 1

*The MPEs described in this data sheet are only those of the Nano SPY U data logger to which it is necessary to add the MPE of the connected sensor to know the MPE of the complete chain.

PART NRS
12540 E : Nano SPY U
12540 X : Nano SPY U without battery

Connection



The Nano SPY U is equipped with a 4-wire cable for easy connection to sensor terminals with analogue outputs of different kinds. These sensors may, if necessary, be disconnected from the recorder for replacement or exchange of the recorder itself.

An IP67 Binder connector (optional) can be used to facilitate sensor connection.

V4 version

New hardware release version 4, optimized to work with firmware versions 6.2 and later. This version enables PT100 cable lengths to be compensated for without factory adjustment. This new NANO SPY U is easily recognizable thanks to its blue wire grommet (see photo below).



Accessories



Protective shell

Part nr. 12715

The protective shell is used to protect all Nano SPY mini-data loggers from shocks.

It is supplied with a double-sided adhesive to be glued to all surfaces and an anti-theft screw for the Nano SPY.

It can also be screwed (screws not supplied).



Binder connection pack for Nano SPY U (IP67 ADAPTER)

Part nr. 12617

The Binder connection pack is designed to link the Nano SPY U to the device connected to it. It provides a clean, isolated connection (IP67).